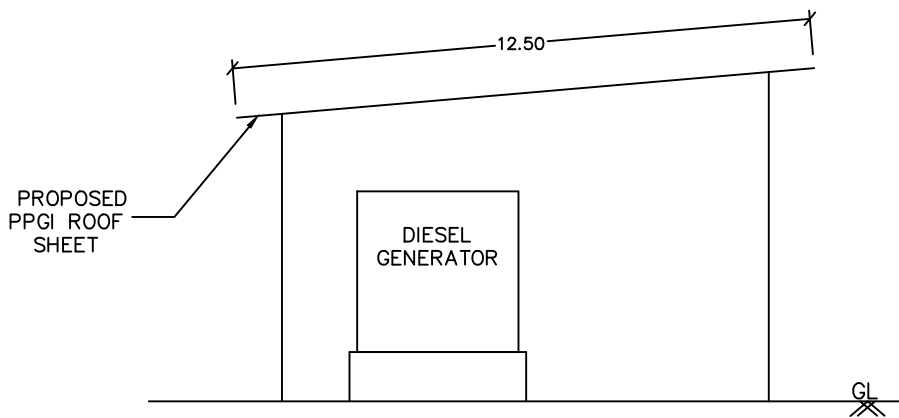


PLAN



SOUTH ELEVATION

NOTE:

- * EXISTING WALL ON THE NORTH SIDE AND NO WALLS ON THE OTHER 3 SIDES
- * ALL DIMENSIONS ARE IN METER
- * NOT TO SCALE

TITLE	PROVIDING PPGI SHEETS FOR COVERING ROOF OF TTS DIESEL GENERATOR				
DETAILS	PLAN AND SOUTH ELEVATION				
DRAWING NO	001				
DRAWN BY	PRE	CHECKED BY	KGS	APPROVED BY	